

WhisperValue® DC Ventilation Fans and Fan/Lights

WhisperValue® DC VENTILATION FAN

Fan Only Models: FV-0510VS1, FV-0810VSS1, FV-0510VSC1
Fan/Light Models: FV-0510VSL1, FV-0810VSSL1,
FV-0510VSL1



HEALTHY AIR, HEALTHY HOME

True Flow ratings at **0.375"** static pressure provide powerful airflow to assure code compliant, healthy homes.

- Pick-A-Flow® Airflow Selector (50¹, 80 or 100 CFM) combined with SmartFlow™ technology simplifies the selection process and ensures optimum performance to meet code and reduce callbacks
- Optional built-in Multi-Speed Control for ASHRAE 62.2 compliance²
- Optional built-in Condensation Sensor to control moisture in the bathroom³
- Lighted models incorporate one 10W dimmable LED chip panel with <1W LED night light for warm, energy efficient illumination (night light must be wired separately)
- 3-3/8" Housing Depth – lowest profile ENERGY STAR® fan available – fits anywhere!
- Unique L-Shaped bracket simplifies installation and provides strong support
- UL approved for ceiling or wall mount (actually fits in a 2 x 4 stud wall)
- Wall Installation reduces cost by eliminating the need to incorporate a radiation damper when penetrating fire rated ceilings, making it ideal for Multi-Family applications
- Can be used to comply with ASHRAE 62.2, IAP, California Title 24, CALGreen⁴ and WA Ventilation Code

ADDITIONAL BENEFITS

- 24 gauge steel, fire code rated 4" oval to 3" round duct adapter, sold separately (model #FV-VS43R)
- Transfer Register Box (model # FV-JD, sold separately), provides room-to-room powered circulation with ductless heat pumps
- UL listed for use with the Panasonic Ceiling Radiation Damper (model # PC-RD05C5)
- UL listed for tub/shower enclosure when GFCI protected
- Warranty⁵: 6 years ECM Motor, 5 years LED, 3 years all other parts

* Industry research indicates static pressure in typical installations ranges from 0.20" to 0.375".

¹ 50 CFM option not included in FV-0810VSS1 and FV-0810VSSL1

² FV-0810VSS1 and FV-0810VSSL1 only

³ FV-0510VSC1 and FV-0510VSL1 only

⁴ FV-0510VSC1 and FV-0510VSL1 only, or when other WhisperValue DC models are

combined with a Panasonic Condensation Sensor Plus(FV-WCCS1-W/A or FV-WCCS2-W/A)

⁵ One year additional fan or fan/light warranty available when WhisperValue DC is controlled by a Panasonic Condensation Sensor Plus.

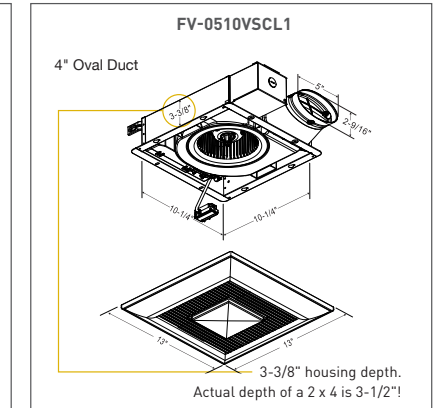
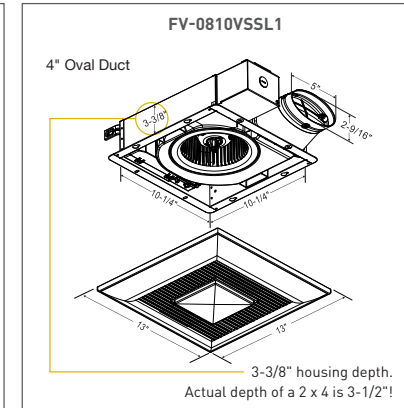
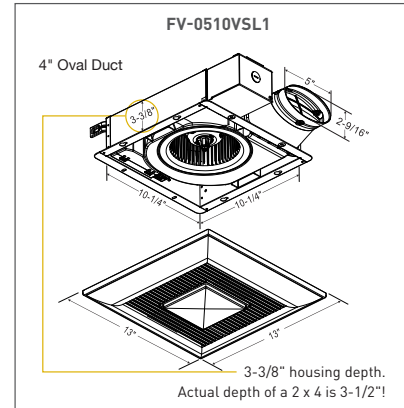
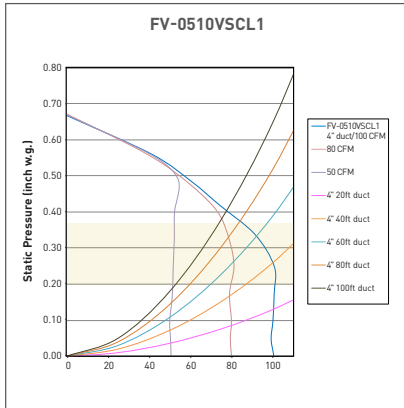
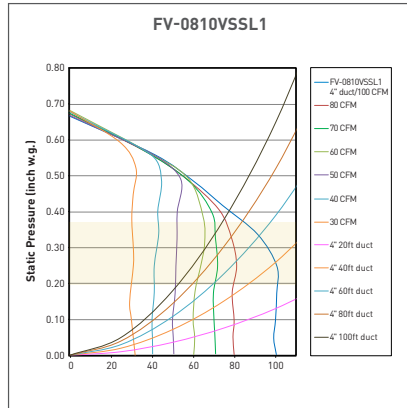
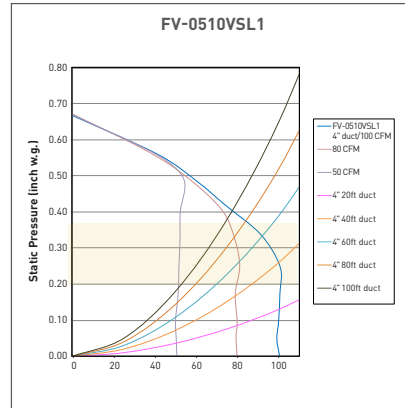




FV-0510VSL1
FV-0810VSSL1
FV-0510VSCL1



FV-0510VSL1
FV-0810VSSL1
FV-0510VSCL1



WhisperValue [®] DC 4" Oval Duct (Fan/LED Light Models)																																								
SPECIFICATIONS		FV-0510VSL1									FV-0810VSSL1												FV-0510VSCL1																	
Duct Diameter (Inches)		4 Oval			4 Oval			4 Oval			4 Oval			4 Oval			4 Oval			4 Oval			4 Oval			4 Oval			4 Oval			4 Oval								
Characteristics (HVI tested data for 0.1" S.P.)	Static Pressure in inches w.g.	0.1	0.25	0.375	0.1	0.25	0.375	0.1	0.25	0.375	0.1	0.25	0.375	0.1	0.25	0.375	0.1	0.25	0.375	0.1	0.25	0.375	0.1	0.25	0.375	0.1	0.25	0.375	0.1	0.25	0.375	0.1	0.25	0.375	0.1	0.25	0.375			
	Air Volume (CFM)	100	101	83	80	81	75	50	52	52	100	101	83	80	81	75	70	72	70	60	64	65	50	52	52	40	41	42	30	31	30	100	101	83	80	81	75	50	52	52
	Noise (sones)	0.9	1.3	-	0.4	0.8	-	<0.3	0.5	-	0.9	1.3	-	0.4	0.8	-	<0.3	0.6	-	<0.3	0.6	-	<0.3	0.5	-	<0.3	0.5	-	<0.3	0.5	-	0.9	1.3	-	0.4	0.8	-	<0.3	0.5	-
	Power Consumption (watts)	12.4	18.0	18.0	8.5	13.2	16.0	4.5	7.7	12.0	12.4	18.0	18.0	8.5	13.2	16.0	6.5	10.8	15.0	5.3	9.3	13.0	4.5	7.7	12.0	3.8	6.7	10.0	3.4	6.0	9.0	13.4	18.0	18.0	8.5	13.2	16.0	4.5	7.7	12.0
	Energy Efficiency (CFM/Watt)	8.2	5.7	4.6	10.0	6.5	4.7	12.1	7.3	4.3	8.2	5.7	4.6	10.0	6.5	4.7	11.2	6.9	4.7	11.8	7.2	5.0	12.1	7.3	4.3	11.8	6.9	4.2	10.2	6.0	3.3	8.2	5.7	4.6	10.0	6.5	4.7	12.1	7.3	4.3
	Speed (RPM)	954	1176	1300	856	1114	1270	733	1050	1230	954	1176	1300	856	1114	1270	805	1088	1260	770	1076	1250	733	1050	1230	723	1037	1215	711	1033	1200	954	1176	1300	856	1114	1270	733	1050	1230
	Current (amps)	0.18	0.25	0.25	0.13	0.20	0.24	0.08	0.13	0.17	0.18	0.25	0.25	0.13	0.20	0.24	0.10	0.16	0.22	0.09	0.15	0.20	0.08	0.13	0.17	0.07	0.11	0.15	0.06	0.10	0.13	0.18	0.25	0.25	0.13	0.20	0.24	0.08	0.13	0.17
	MAX. Current (amps)	0.39									0.39												0.39																	
Power Rating (V/Hz)	120/60									120/60												120/60																		
Specifications	Motor Type	ECM									ECM												ECM																	
	Type of Motor Bearing	Ball									Ball												Ball																	
	Thermal Fuse Protection	Yes									Yes												Yes																	
	Blower Wheel Type	Sirocco									Sirocco												Sirocco																	
	ENERGY STAR Qualified	Yes									Yes												Yes																	
Installation	Duct Diameter (Inches)	4 Oval									4 Oval												4 Oval																	
	Mounting Opening (Inches sq.)	10-1/2									10-1/2												10-1/2																	
	Grille Size (Inches sq.)	13									13												13																	
Light Specifications	Lamp Watts	10.0									10.0												10.0																	
	Lumens (lm)	700									700												700																	
	Lumens Per Watt (LPW)	70									70												70																	
	Color Rendering Index	90									90												90																	
	Color Temperature (Kelvin)	3,000									3,000												3,000																	
	Rated Life (hours)	50,000									50,000												50,000																	
	Lamp Model #	N/A									N/A												N/A																	
Type of Lamp Socket	LED chip									LED Chip												LED chip																		
Night Light Specs	Night Light Watts	0.2									0.2												0.2																	
Shipping	Gross Weight (lbs)	9.9									9.9												9.9																	
Approved Code/Standard/Regulation	UL tub/Shower Enclosure	Yes									Yes												Yes																	
	Washington VIAQ Code	Yes									Yes												Yes																	
	California Title 24 Compliant	Yes									Yes												Yes																	
	Mfg in ISO 9001 Certified Facility	Yes									Yes												Yes																	



*Industry research indicates static pressure in typical installations ranges from 0.20" to 0.375". As tested by an EPA recognized lab



Panasonic
IAQ Division

Two Riverfront Plaza
Newark, NJ 07102

na.panasonic.com/us/iaq

For Order Information
PHONE: 866-292-7299
FAX: 888-553-0723

ventfans@us.panasonic.com

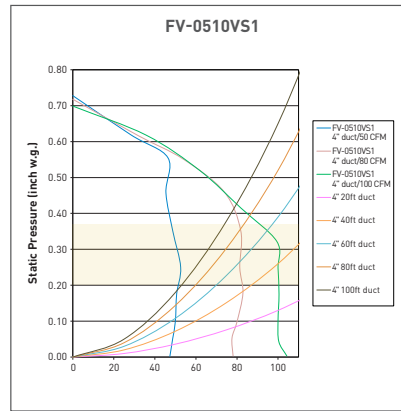
IAQ23018SS



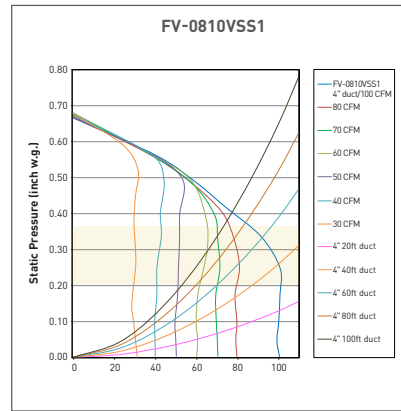
FV-0510VS1
FV-0810VSS1
FV-0510VSC1



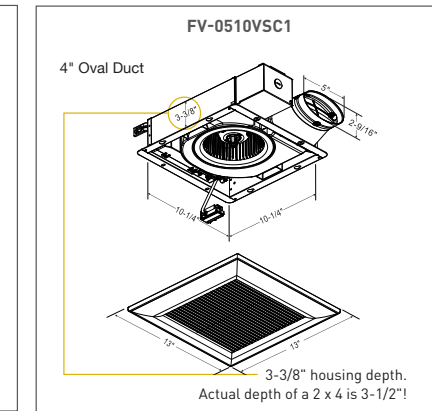
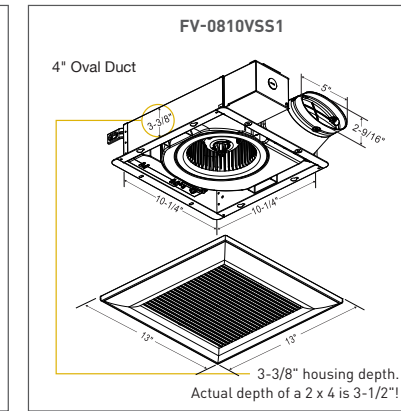
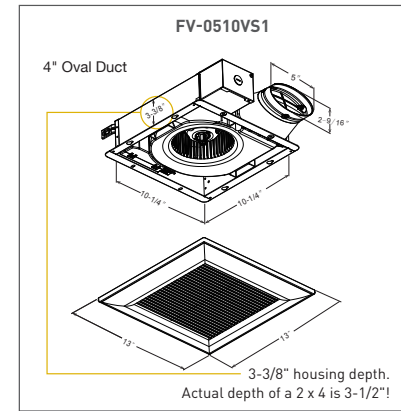
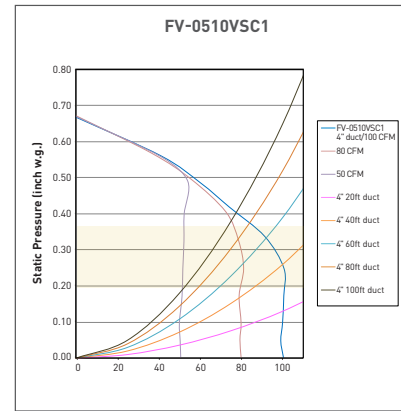
FV-0510VS1



FV-0810VSS1



FV-0510VSC1



WhisperValue® DC 4" Oval Duct (Fan Only Models)

SPECIFICATIONS		FV-0510VS1									FV-0810VSS1									FV-0510VSC1																				
Duct Diameter (Inches)		4 Oval			4 Oval			4 Oval			4 Oval			4 Oval			4 Oval			4 Oval			4 Oval			4 Oval			4 Oval											
Characteristics (HVI tested data for 0.1" S.P.)	Static Pressure in inches w.g.	0.1	0.25	0.375	0.1	0.25	0.375	0.1	0.25	0.375	0.1	0.25	0.375	0.1	0.25	0.375	0.1	0.25	0.375	0.1	0.25	0.375	0.1	0.25	0.375	0.1	0.25	0.375	0.1	0.25	0.375	0.1	0.25	0.375	0.1	0.25	0.375	0.1	0.25	0.375
	Air Volume (CFM)	100	100	83	80	81	75	50	53	52	100	101	83	80	81	75	70	72	70	60	64	65	50	52	52	40	41	42	30	31	30	100	101	83	80	81	75	50	52	52
	Noise (sones)	0.9	1.3	-	0.4	0.8	-	<0.3	0.5	-	0.9	1.3	-	0.4	0.8	-	<0.3	0.6	-	<0.3	0.6	-	<0.3	0.5	-	<0.3	0.5	-	0.9	1.3	-	0.4	0.8	-	<0.3	0.5	-			
	Power Consumption (watts)	11.1	16.0	18.0	7.2	11.5	16.0	4.4	7.5	12.0	12.4	18.0	18.0	8.5	13.2	16.0	6.5	10.8	15.0	5.3	9.3	13.0	4.5	7.7	12.0	3.8	6.7	10.0	3.4	6.0	9.0	12.4	18.0	18.0	8.5	13.2	16.0	4.5	7.7	12.0
	Energy Efficiency (CFM/Watt)	9.2	6.4	4.6	11.4	7.2	4.7	12.8	7.9	4.3	8.2	5.7	4.6	10.0	6.5	4.7	11.2	6.9	4.7	11.8	7.2	5.0	12.1	7.3	4.3	11.8	6.9	4.2	10.2	6.0	3.3	8.2	5.7	4.6	10.0	6.5	4.7	12.1	7.3	4.3
	Speed (RPM)	902	1121	1300	797	1070	1270	708	1025	1230	954	1176	1300	856	1114	1270	805	1088	1260	770	1076	1250	733	1050	1230	723	1037	1215	711	1033	1200	954	1176	1300	856	1114	1270	733	1050	1230
	Current (amps)	0.20	0.27	0.25	0.13	0.20	0.24	0.09	0.14	0.17	0.18	0.25	0.25	0.13	0.20	0.24	0.10	0.16	0.22	0.09	0.15	0.20	0.08	0.13	0.17	0.07	0.11	0.15	0.06	0.10	0.13	0.18	0.25	0.25	0.13	0.20	0.24	0.08	0.13	0.17
	MAX. Current (amps)	0.39									0.39									0.39																				
Power Rating (V/Hz)	120/60									120/60									120/60																					
Specifications	Motor Type	ECM									ECM									DC																				
	Type of Motor Bearing	Ball									Ball									Ball																				
	Thermal Fuse Protection	Yes									Yes									Yes																				
	Blower Wheel Type	Sirocco									Sirocco									Sirocco																				
ENERGY STAR Qualified	Yes									Yes									Yes																					
Installation	Duct Diameter (Inches)	4 Oval									4 Oval									4 Oval																				
	Mounting Opening (Inches sq.)	10-1/2									10-1/2									10-1/2																				
	Grille Size (Inches sq.)	13									13									13																				
Light Specifications	Lamp Watts	N/A									N/A									N/A																				
	Lumens (lm)	N/A									N/A									N/A																				
	Lumens Per Watt (LPW)	N/A									N/A									N/A																				
	Color Rendering Index	N/A									N/A									N/A																				
	Color Temperature (Kelvin)	N/A									N/A									N/A																				
	Rated Life (hours)	N/A									N/A									N/A																				
	Lamp Model #	N/A									N/A									N/A																				
Night Light Specs	Night Light Watts	N/A									N/A									N/A																				
Shipping	Gross Weight (lbs)	8.8									9.0									9.0																				
Approved Code/Standard/Regulation	UL tub/Shower Enclosure	Yes									Yes									Yes																				
	Washington VIAQ Code	Yes									Yes									Yes																				
	California Title 24 Compliant	Yes									Yes									Yes																				
	Mfg in ISO 9001 Certified Facility	Yes									Yes									Yes																				



*Industry research indicates static pressure in typical installations ranges from 0.20" to 0.375".
As tested by an EPA recognized lab



Installed Performance



ECM Motor with SmartFlow™ Technology

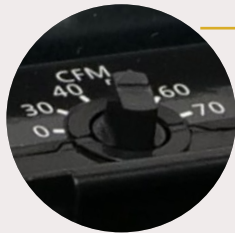
WhisperValue® DC is designed to perform as rated. When the fan senses static pressure, its speed is automatically increased to ensure optimal CFM output. This feature provides peace of mind, as the installer doesn't have to worry about compromising the fan's performance, even with a complicated duct run.



Pick-A-Flow Airflow Technology

Built-in Pick-A-Flow Airflow selector provides the unique ability to select your required airflow (50-80 - 100 CFM) with the simple flip of a switch.

Optional Built-In Controls



Multi-Speed for ASHRAE 62.2 Compliance

(FV-0810VSS1 and FV-0810VSSL1 only)

Multi-Speed for ASHRAE 62.2 Compliance allows you to select the proper CFM settings to satisfy ASHRAE 62.2 continuous ventilation requirements. The fan runs continuously at a preset lower level (0, 30-70, in 10 CFM increments), then elevates to a maximum level of operation (80 or 100 CFM) when the wall switch is turned on.



Condensation Sensor

(FV-0510VSC1 and FV-0510VSCL1 only)

Condensation Sensor helps control bathroom condensation to prevent mold and mildew. Sensor technology detects relative humidity and temperature to anticipate dew point, automatically turning the fan on to control humidity. Built-in Relative Humidity (RH) sensitivity adjustment enables fine tuning for moist conditions and for satisfying CALGreen requirements. The fan will run for 20 minutes before turning off.



LED Lighting

WhisperValue® DC fan/light models feature a contemporary flush mount grille that incorporates one 10W Dimmable LED chip panel with <1W LED night light for warm, energy efficient illumination. Panel specifications include: 3000 Kelvin Warm White/90CRI/700 lumens/70 LPW/ENERGY STAR 2.0 certified/50,000 hours rated average life.

WhisperValue® DC to WhisperValue®/ WhisperValue® Lite Cross Reference

	WhisperValue® DC		WhisperValue®/ WhisperValue® Lite	
	New Model #	Description	Discontinued Model #	Description
Fan Only	FV-0510VS1	Fan Only, 50-80-100 CFM	FV-05VS3	Fan Only, 50 CFM
			FV-08VS3	Fan Only, 80 CFM
	FV-0510VSC1	Fan Only, 50-80-100 CFM, Condensation Sensor	FV-10VS3E	Fan Only, 100 CFM
	FV-0810VSS1	Fan Only, 80-100 CFM, Multi-Speed for ASHRAE 62.2	N/A	N/A
Fan/LED Light	FV-0510VSL1	Fan/LED Light, 50-80-100 CFM	FV-08VSL3	Fan/CFL Light, 80 CFM
			FV-10VSL3E	Fan/CFL Light, 100 CFM
	FV-0510VSCL1	Fan/LED Light, 50-80-100 CFM, Condensation Sensor	N/A	N/A
	FV-0810VSSL1	Fan/LED Light, 80-100 CFM, Multi-Speed for ASHRAE 62.2	N/A	N/A
Contractor Packs	FV-0510VSA1	FV-0510VS1 Housing Can	FV-05-10VSA3	Universal Housing Can
			FV-05VSB3	Motor/Grille Assembly, 50 CFM
	FV-0510VSB1	FV-0510VS1 Motor/Grille Assembly, 50-80-100 CFM	FV-08VSB3	Motor/Grille Assembly, 80 CFM
			FV-10VSB3E	Motor/Grille Assembly, 100 CFM